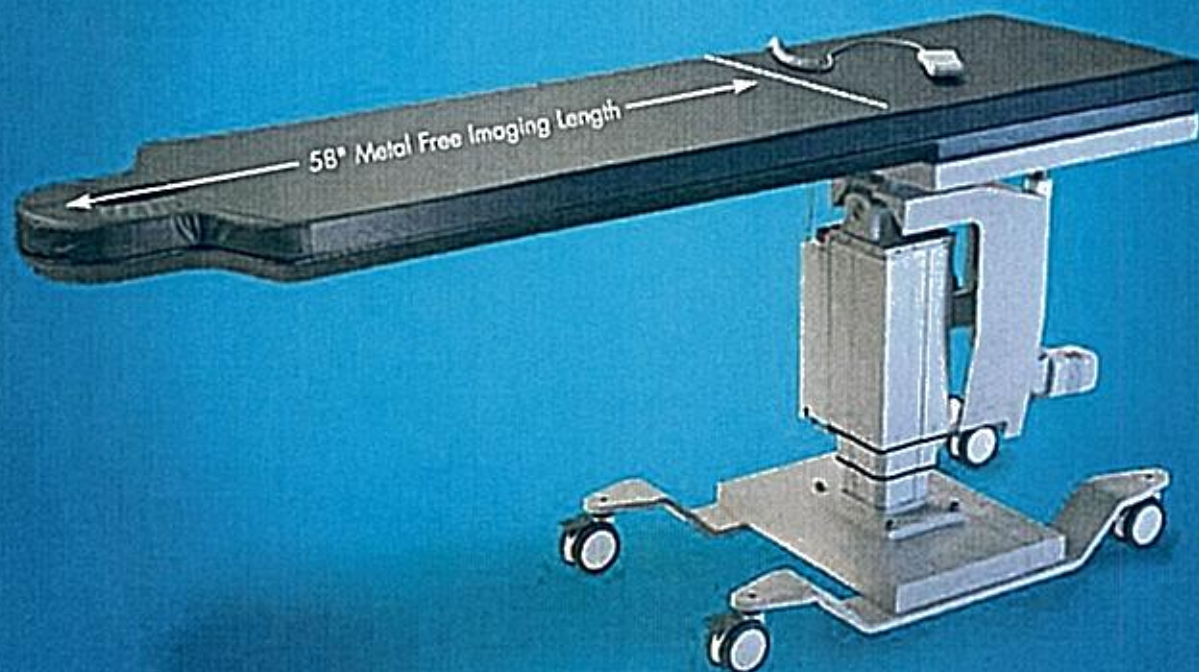


MEDSTONE ELITE

Mobile C-Arm Pain Management and Vascular Table



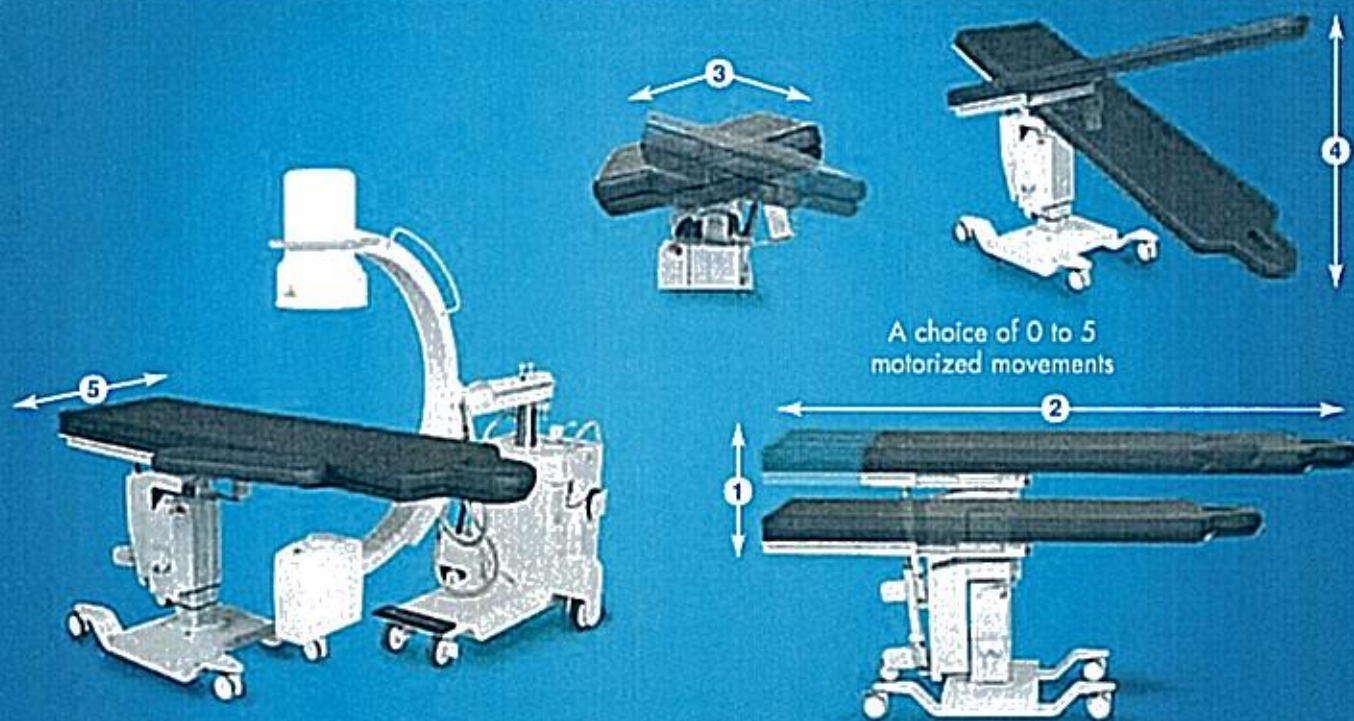
*Unmatched functionality and versatility
in C-Arm imaging tables.*

Table Features

- 58" Unobstructed C-Arm Imaging
- Low Attenuation Carbon Fiber Tabletop
- Open Design
- A Choice of 0 to 5 Motorized Movements
- 500 lb. Weight Capacity

MEDSTONE ELITE

Mobile C-Arm Pain Management and Vascular Table



MEDSTONE-ELITE MOBILE

0047 ELITE SERIES SPECIFICATIONS:

		TM-5	TM-4	TM-3	TM-2	TL-2	TT-2	TE-1
(1) Motor Elevation (Lift) Travel 300mm Lift Standard	Minimum	31.5"	30.5"	30.5"	23.5"	27"	27"	22.5"
	Maximum	43"	42"	42"	35.5"	38.5"	38.5"	34"
(1) Motor Elevation (Lift) Travel 400mm Lift (Optional)	Minimum	NO	NO	NO	24.75"	30.5"	30.5"	24.5"
	Maximum	NO	NO	NO	44"	44.5"	44.5"	40"
(2) Motorized Longitudinal Table-top Travel		15.75"	15.75"	NO	15.75"	NO	NO	NO
(3) Motorized Lateral Table-top Tilt		±15°	±15°	±15°	NO	±15°	NO	NO
(4) Motorized Trendelenburg Tilt		±15°	±15°	±15°	NO	NO	±15°	NO
(5) Motorized Lateral Table-top Travel		±4"	NO	NO	NO	NO	NO	NO
Patient Weight Capacity (Distributed)		500 lbs.	500 lbs.	500 lbs.	500 lbs.	500 lbs.	500 lbs.	500 lbs.
Table Weight (Approximate)		650 lbs.	625 lbs.	540 lbs.	540 lbs.	495 lbs.	475 lbs.	455 lbs.
Carbon Fiber Table-top 22" wide x 62" long, with Facial access cutout		YES	YES	YES	YES	YES	YES	YES
Un-obstructed Table-top Imaging Area		58"	58"	58"	58"	58"	58"	58"
Radiolucent Solcare Pad		YES	YES	YES	YES	YES	YES	YES
Patient Restraints (3)		YES	YES	YES	YES	YES	YES	YES
ETL Listed (UL and CSA Standard)		YES	YES	YES	YES	YES	YES	YES

OPTIONS:

Dual Patient Arm Boards with Pads	OPTIONAL	OPTIONAL	OPTIONAL	OPTIONAL	OPTIONAL	OPTIONAL	OPTIONAL	OPTIONAL
Snap-on Arm Board with Pad and Mounting Clamp	OPTIONAL	OPTIONAL	OPTIONAL	OPTIONAL	OPTIONAL	OPTIONAL	OPTIONAL	OPTIONAL
Wireless Hand Control with Receiver	NO	OPTIONAL	OPTIONAL	OPTIONAL	OPTIONAL	OPTIONAL	OPTIONAL	OPTIONAL
Foot Pedal Control	OPTIONAL	OPTIONAL	OPTIONAL	OPTIONAL	OPTIONAL	OPTIONAL	OPTIONAL	OPTIONAL

23151 Alcalde Drive, Suite C-8, Laguna Hills, CA 92653
Tel (949) 457-1231, Fax (949) 457-1289

Technical Specifications are subject to change without notice.
©2006 Arcoma North America, Inc. 00470001 rev 01/08
Made in the U.S.A.



 **ARCOMA**
Imaging Solutions